

YDP20MH



YDP20MH

# YDP20MH

## DIESEL FIRE PUMP

The YDP20MH portable diesel fire pump designed and built by Britton Maritime is operated with a Yanmar L48 diesel engine. The fuel efficient diesel pump can be operated up to 4 times longer than gasoline pumps. The advantage truly shows in night time and other continuous pumping operations at site where no commercial power is available.

The pump is currently being used by the Royal Australian Navy, The New Zealand navy, UAE Coast Guard, Australian Water Police Forces, Australian Coast Guard, Marine Rescue Australian and many more.



### HIGH PERFORMANCE LOW MAINTENANCE

- Non corrosive features
- Aluminium marine grade shock mounted frame
- Suction & discharge fittings to suit
- Quick release connectors
- Self priming
- Option electric start
- Option all weather cover

**500**  
litres  
per minute

 **brittonmaritime**  
SYSTEMS

PH: +61 2 9668 9111

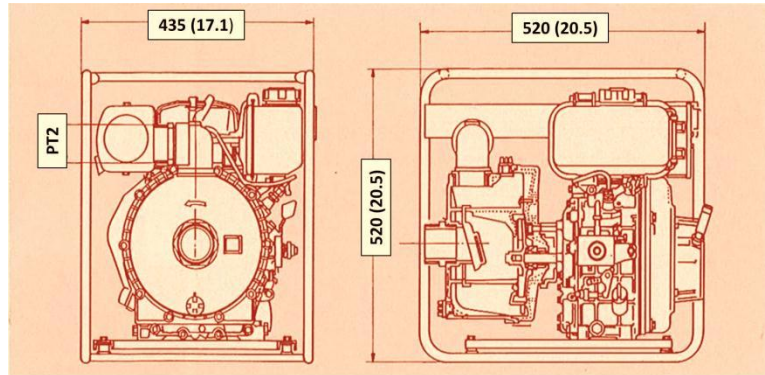
E: [info@brittonmaritime.com.au](mailto:info@brittonmaritime.com.au)

[www.brittonmaritime.com.au](http://www.brittonmaritime.com.au)

## DESIGN FEATRES:

The YDP20MH fire pump comes with all required fittings as required including 2 of suction hoses supplied as per customer specification with storz fittings, foot valve, coupling spanner ,rope for manual start, stainless steel lashing rings, teflon coated motor, nylon pump, stainless steel fittings and fuel container supplied .All fittings and hoses are salt water proof.

All fittings and hoses can be modified for customer requirements. The pump is encased in a shock mounted aluminium powder coated frame, which also allows for ease of transport and lifting by hand. An all weat cover can also be provided for protection.



# YDP20MH

## PERFORMANCE

The YDP20MH is a high performance pump for its size. With a total head of 26 metres and 7 metre suction lift, the pump can achieve 30 cubic metres per hour, which is equivalent to 500 litres per minute and produces a 30 metre throw.

The pump is self priming and is operated by a 4.8HP ( 3.5Kw) vertical 4 cycle air cooled Yanmar diesel engine @ 3600RPM.

**AIR  
COOLED  
DIESEL**

